

DH-IPC-HDPW4200FN-WPT

2MP Full HD Wi-Fi IR Mini PT Dome Camera



Features

- 1/2.8" 2Megapixel progressive scan CMOS
- H.264 & MJPEG dual-stream encoding
- Max 30fps@1080P
- Day/Night(ICR), 3DNR, AWB,AGC,BLC
- Multiple network monitoring: Web viewer, CMS(DSS/PSS) & DMSS
- Max 100°/s preset speed, $\pm 180^\circ$ Pan range, 90° Tilt range
- 3.6mm fixed lens
- Max. IR LEDs Length 15m
- Wi-Fi support
- Built-in Mic
- DC12V

DH-IPC-HDPW4200FN-WPT

Technical Specifications

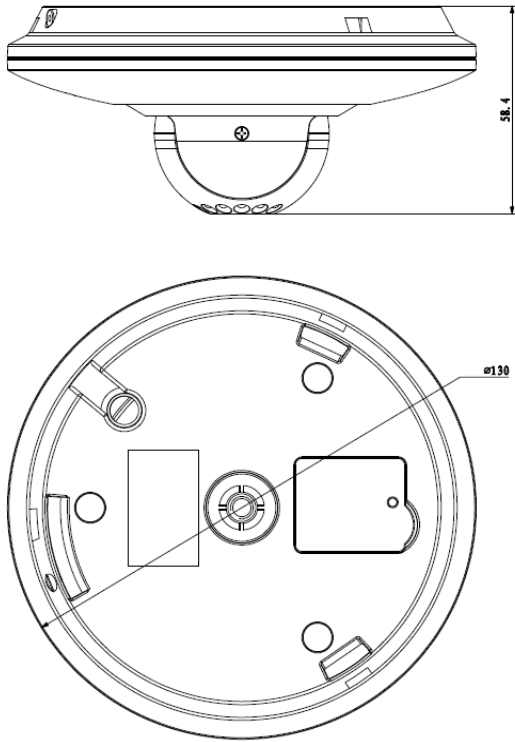
| | | |
|--------------------------|---|-----------------------|
| Model | DH-IPC-HDPW4200FN-WPT | |
| Camera | | |
| Image Sensor | 1/2.8" 2Megapixel progressive scan CMOS | |
| Effective Pixels | 1920(H)x1080(V) | |
| Scanning System | Progressive | |
| Electronic Shutter Speed | Auto/Manual 1/3(4)~1/100000 | |
| Min. Illumination | 0.01Lux/F1.2(color) | |
| S/N Ratio | More than 50db | |
| Video Output | N/A | |
| Camera Features | | |
| Max. IR LEDs Length | 15m | |
| Day/Night | Auto(ICR)/Color/B/W | |
| Backlight Compensation | Off/BLC/HLC/DWDR | |
| White Balance | Auto/Manual | |
| Gain Control | Auto/Manual | |
| Noise Reduction | 3D | |
| Privacy Masking | Up to 4 areas | |
| Digital Zoom | 3x | |
| Lens | | |
| Focal Length | 3.6mm | |
| Max Aperture | F1.2 | |
| Focus Control | Manual | |
| Angle of View | H:88° | |
| Lens Type | Fixed lens | |
| Mount Type | Board-in Type | |
| PT | | |
| Pan/ Tilt Range | Pan: 0°~±180°; Tilt: 0°~90° | |
| Preset Speed | 100°/s | |
| Preset | 25 | |
| Video | | |
| Compression | H.264/H.264H/MJPEG | |
| Resolution | 1080P(1920×1080) / 720P(1280×720) /D1(704×576/704×480) / CIF(352×288/352×240) | |
| Frame Rate | Main Stream | 1080P/720P(1 ~ 30fps) |
| | Sub Stream | D1/CIF(1 ~ 30fps) |
| Bit Rate | H.264: 32K ~ 8192Kbps | |
| Audio | | |
| Compression | G.711a/G.711u/PCM | |
| Interface | Bulit-in Mic | |
| Network | | |
| Ethernet | RJ-45 (10/100Base-T) | |
| Wi-Fi | Wi-Fi(IEEE802.11b/g/n) | |

DH-IPC-HDPW4200FN-WPT

| | |
|----------------------------|--|
| | 50m(open field) |
| Protocol | IPv4/IPv6, HTTP, HTTPS, SSL, TCP/IP, UDP, UPnP, ICMP, IGMP, SNMP, RTSP, RTP, SMTP, NTP, DHCP, DNS, PPPOE, DDNS, FTP, IP Filter, QoS, Bonjour |
| Compatibility | ONVIF PSIA CGI |
| Max. User Access | 20 users |
| Smart Phone | iPhone, iPad, Android, Windows Phone |
| Auxiliary Interface | |
| Memory Slot | N/A |
| RS485 | N/A |
| Alarm | N/A |
| PIR Sensor Range | N/A |
| General | |
| Power Supply | DC12V |
| Power Consumption | <5W |
| Working Environment | -30°C~+50°C, Less than 95% RH |
| Ingress Protection | N/A |
| Vandal Resistance | N/A |
| Dimensions | Φ130mm×58.4mm |
| Weight | 0.25kg |

DH-IPC-HDPW4200FN-WPT

Dimensions (mm)



Accessory (optional)

